



**UltraRide<sup>®</sup>**  
Chassis Air Suspension

**NEW ULTRARIDE<sup>®</sup>**  
**ELECTRONIC AIR KIT**  
(800M1300)

**Quiet**

By combining one of the quietest compressors in the world with industry's best vibration isolation; the tested and measured result, in decibels, is compressor noise similar to the level of normal conversation versus the sound of a lawn mower!

**Compact**

This is the most compact air kit Link<sup>®</sup> has ever offered... typically requiring at least 30% less space and weighing 30% less than our current electronic air kit.

**Maintenance Free**

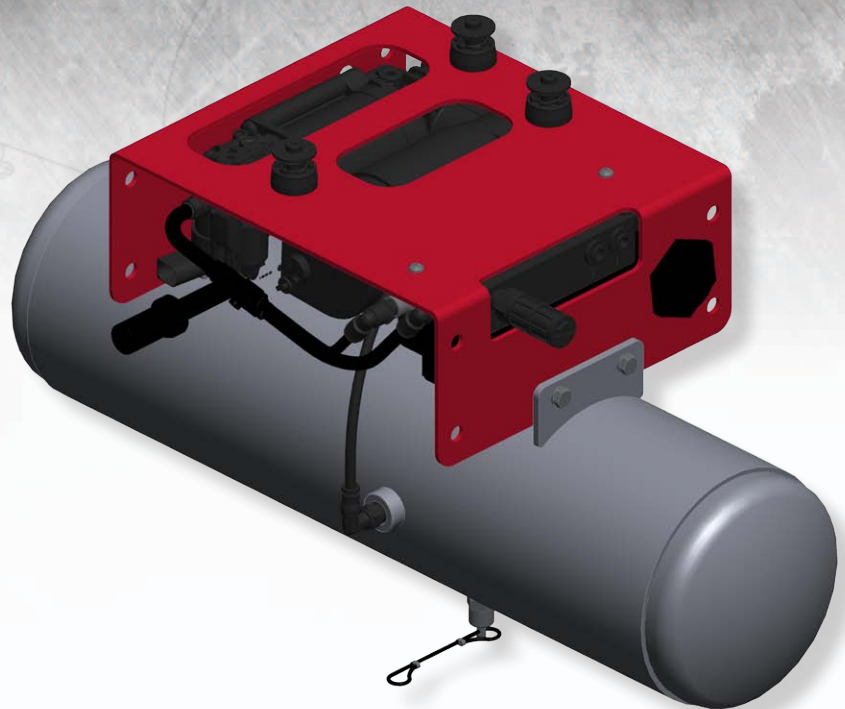
System has an integrated, self-purging air drier... moisture and debris are purged on every exhaust, improving system life and reducing service.

**Fully Integrated System**

The air manifold integrates the ECU reducing electrical connections and potential failure points; plus built in diagnostics (via PC).

**Flexible**

Offers More Mounting options...



**SPECIFICATIONS**

Part Number: 800M1300

Single 1 CFM Compressor

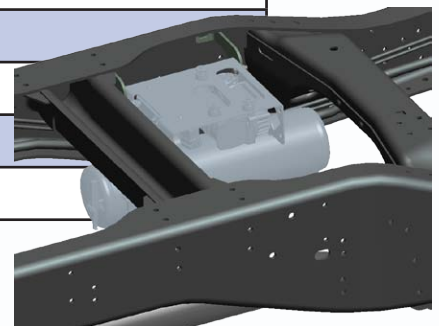
Integrated Air Drier

150-175 psi Output

30 Amps

12 Volt DC

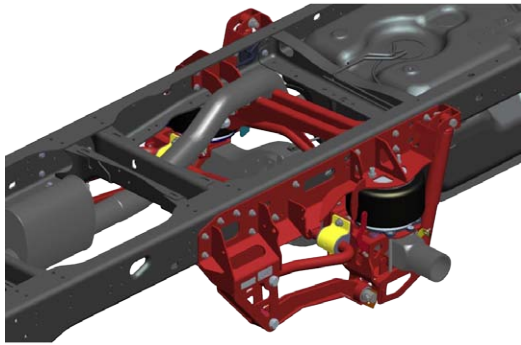
2.5 gal Aluminum Pressure Tank



# **Link**® **UltraRide**® Chassis Air Suspension

The new Air Kit is currently compatible with the following Link® UltraRide Chassis Air Suspensions:

**Dodge Ram 4500/5500 4x2 & 4x4 (8M000100)**



**Ford F450/550 Chassis Cab (8M000097)**



**Control Panel (800M1074)**

