

RATIO RELAY VALVE

The Ratio Relay Valve is to be used when the drive axle(s) have air suspensions, especially on single axles. This helps insure that the auxiliary axle will not over-power the drive axle(s).

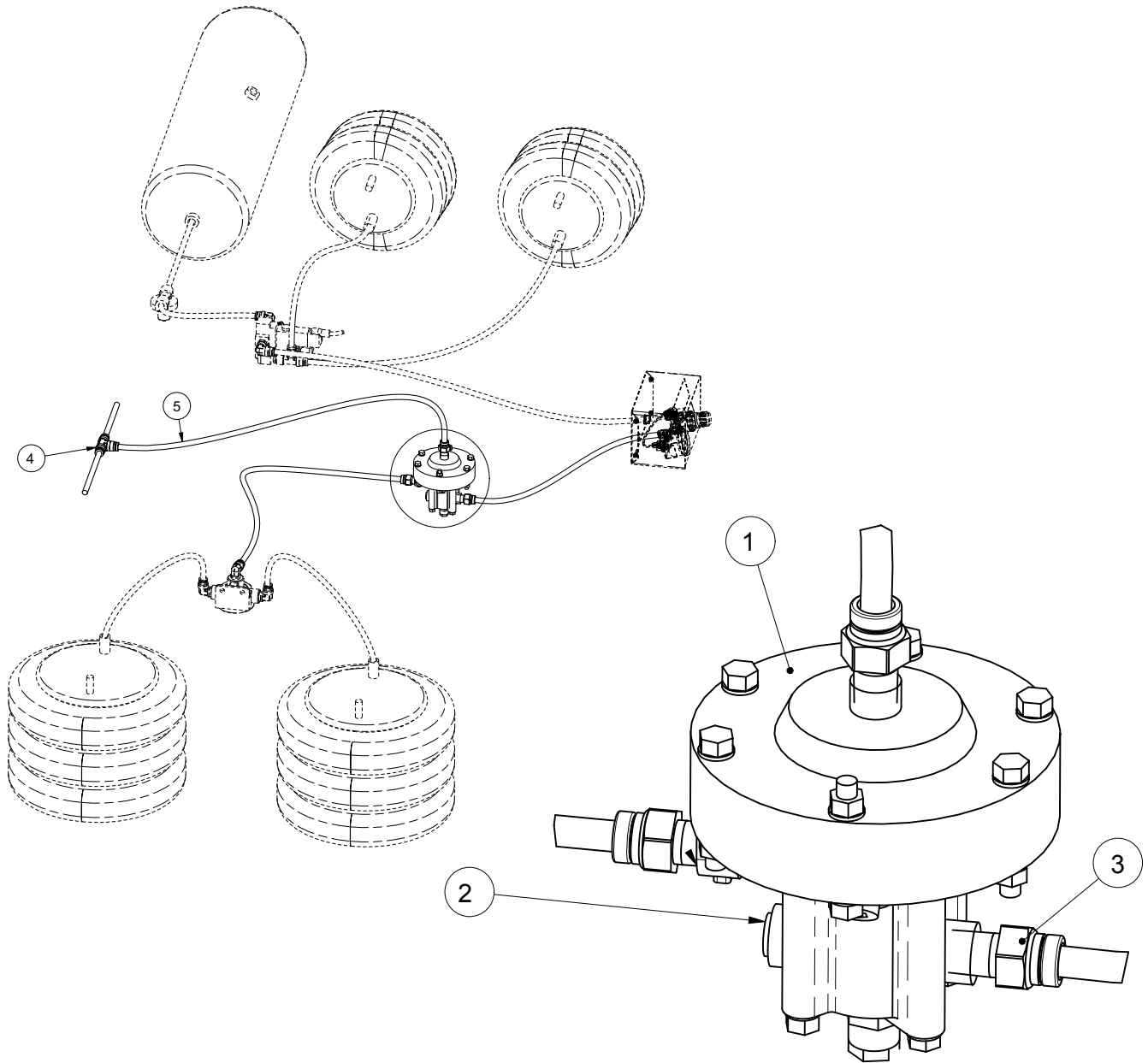
SPEC'ING

SELF-STEER
LIFTAXLES

NON-STEER
LIFTAXLES

OPTIONAL
EQUIPMENT

SERVICE
PARTS



RATIO RELAY VALVE KIT PART NO. 13501016

ITEM	LINK PART #	PART DESCRIPTION	QTY
1	1301-0531	VALVE, RATIO RELAY.....	1
2	1302-2077	AIR FTG/PLUG (1/4 NPT).....	2
3	1302-5049	CONNECTOR, 3/8 TB 1/4 M-NPT, DOT.....	3
4	1302-5061	TEE, 3/8 UNION, DOT.....	1
5	1303-4000	AIRLINE-NYLON, .375 O.D., BULK.....	10 FT