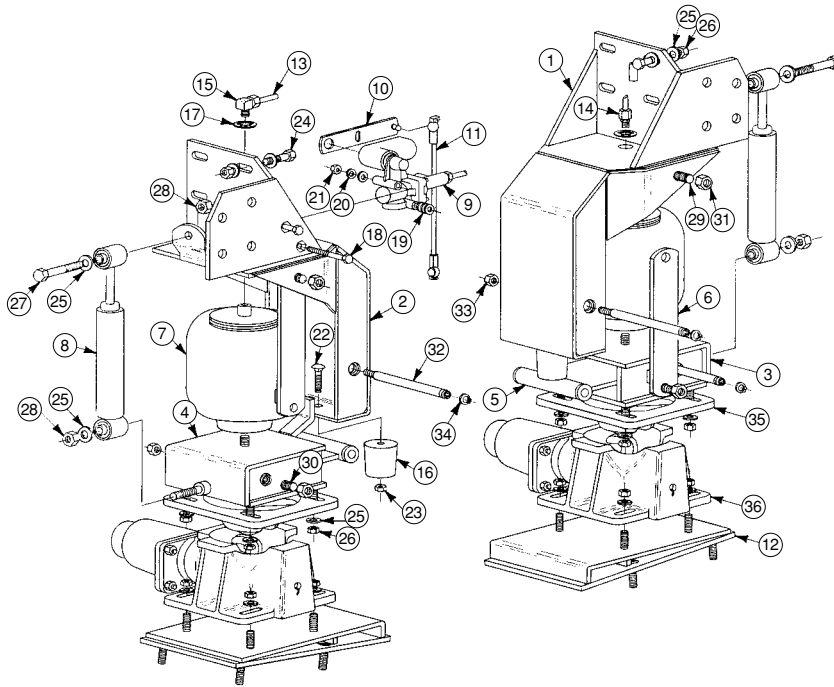
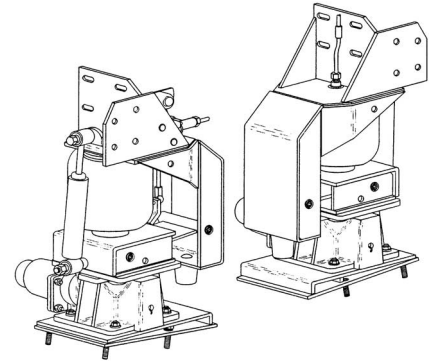


# Cabmate



## PARTS LIST

1	2815-1000	UNIT TOP (PASSENGER)	.....1
2	2815-2000	UNIT TOP (DRIVER)	.....1
3	2815-3000	UNIT BOTTOM (PASSENGER)	.....1
4	2815-4000	UNIT BOTTOM (DRIVER)	.....1
5	2992-2007	HINGE ARM	.....2
6	2815-0001	LOCK-UP STRAP	.....2
7	1101-A023	AIR SPRING	.....2
8	1202-0032	SHOCK ABSORBER	.....2
9	1301-0024	HEIGHT CONTROL VALVE	.....1
10	2990-0600	VALVE ARM	.....1
11	1500-0283	VALVE LINKAGE	.....1
12	2815-6000	ADAPTER PLATE	.....2
13	1302-0090	1/4 AIRLINE	.....10.5'
14	1302-1062	MALE CONNECTOR	.....1
15	1302-1105	MALE ELBOW	.....1
16	1500-0070	RUBBER BUMPER	.....2
NS	1500-0310	AIRLINE SPRING CLIP	.....7
17	1500-0330	3/4 RETAINER RING	.....2
18	1401-0818	1/4 X 2 1/4 UNC BOLT	.....2
19	1487-0800	1/4 FLAT WASHER	.....8
20	1485-0800	1/4 LOCK WASHR	.....2
21	1470-0800	1/4 UNC NUT	.....2
22	1435-1012	5/16 X 1 1/2 UNC CARRIAGE BOLT	.....2
23	1476-1000	5/16 UNC LOCK NUT	.....2
24	1401-1210	3/8 X 1 1/4 UNC BOLT	.....2
25	1487-1200	3/8 FLAT WASHER	.....24
26	1476-1200	3/8 UNC LOCK NUT	.....18
27	1403-1418	7/16 X 2 1/4 UNF BOLT	.....2
28	1477-1400	7/16 UNF LOCK NUT	.....4
29	1401-1608	1/2 X 1 UNC BOLT	.....2
30	1401-1610	1/2 X 1 1/4 UNC BOLT	.....2
31	1470-1600	1/2 UNC NUT	.....4
32	2990-0032	4 1/4 HINGE ARM BOLT	.....4
33	1476-1201	3/8 UNC TOP LOCK NUT	.....4
34	1500-0360	SNAP RING	.....4
35	1500-0700	LATCH PLATE	.....2
36	1500-0710	HYDRAULIC LATCH	.....2
NS	1350-0000	PRESSURE PROTECTION KIT	.....1

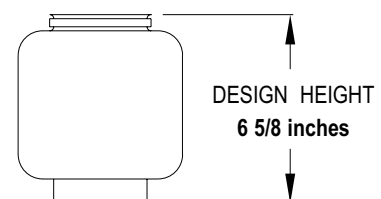


**CABMATE MODEL  
PB362-2P  
2815-0000 AFTERMARKET**

**FITS:** Fits most 1981 and newer Peterbilt Model 362 cabover tractors. It replaces the original rear cab mounts and latches.

Wt: 95 lbs. Wt. Added: 31 lbs.  
Installation Time: 4-5 hours

### NOTES:



ford

freightliner

gmc

international

kenworth

mack  
marron

peterbilt

sterling

volvo  
western star