

# Cabmate

ford

freightliner

gmc

international

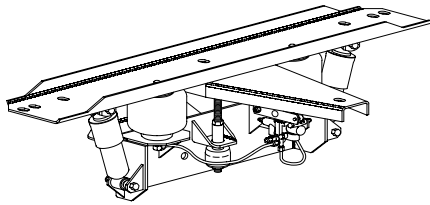
kenworth

mack  
marmon

peterbilt

sterling

volvo  
western star

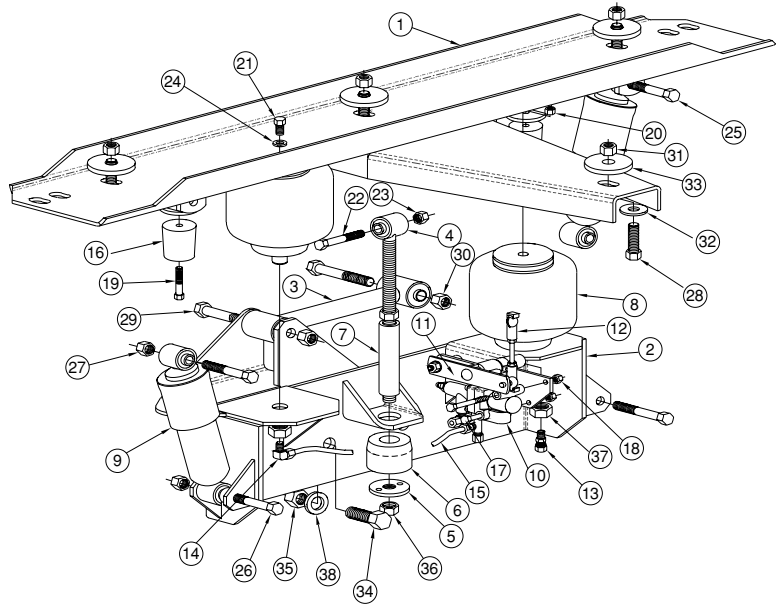
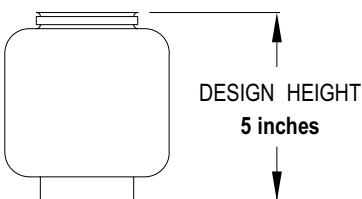


CABMATE MODEL  
**MARC57-B**  
**2652-B000** AFTERMARKET

**FITS:** Most 1981 and newer Marmon conventionals. It replaces the original rear cab supports, Marmon part nos: 300-32-1 and 300-36-1.

Wt: 63 lbs. Wt. Added: 26 lbs.  
Installation Time: 3-4 hours

**NOTES:**



## PARTS LIST

1	2652-1100	UNIT TOP	.....1
2	2652-2000	UNIT BOTTOM	.....1
3	2993-2008	LATERAL CONTROL ROD	.....1
4	2992-3203	TRAVEL LIMITER ROD	.....1
5	2990-0049	TRAVEL LIMITER WASHER	.....1
6	2990-0050	TRAVEL LIMITER BUMPER	.....1
7	2992-3002	TRAVEL LIMITER WEAR SLEEVE	.....1
8	1102-0074	AIR SPRING	.....2
9	1202-0054	SHOCK ABSORBER	.....2
10	1301-0014	HEIGHT CONTROL VALVE	.....1
11	2990-0700	VALVE ARM	.....1
12	1500-0242	VALVE LINKAGE	.....1
13	1302-1062	MALE CONNECTOR	.....1
14	1302-1105	MALE ELBOW	.....1
15	1302-0090	1/4" AIRLINE	.....1'
16	1500-0070	RUBBER BUMPER	.....2
17	1401-0816	1/4 X 2 UNC BOLT	.....2
18	1476-0800	1/4 UNC LOCK NUT	.....2
19	1401-1012	5/16 X 1 1/2 UNC BOLT	.....2
20	1476-1000	5/16 UNC LOCK NUT	.....2
21	1401-1205	3/8 X 5/8 UNC BOLT	.....2
22	1404-1218	3/8 X 2 1/4 UNF BOLT (GRADE 8)	.....1
23	1477-1201	3/8 UNF TOP LOCK NUT	.....1
24	1485-1200	3/8 LOCK WASHER	.....2
25	1403-1420	7/16 X 2 1/2 UNF BOLT	.....2
26	1403-1422	7/16 X 2 3/4 UNF BOLT	.....2
27	1477-1400	7/16 UNF LOCK NUT	.....4
28	1401-1614	1/2 X 1 3/4 UNC BOLT	.....4
29	1404-1624	1/2 X 3 UNF BOLT (GRADE 8)	.....2
30	1477-1601	1/2 UNF TOP LOCK NUT	.....2
31	1476-1600	1/2 UNC LOCK NUT	.....4
32	1487-1600	1/2 FLAT WASHER	.....4
33	2652-0001	1/2 MOUNT SPACER	.....4
34	1401-2014	5/8 X 1 3/4 UNC BOLT	.....6
35	1470-2000	5/8 UNC HEX NUT GR. B	.....6
36	1475-2000	5/8 UNC JAM NUT	.....2
37	1475-2400	3/4 UNF JAM NUT	.....2
38	1485-2000	5/8 LOCK WASHER	.....6
NS	1350-0000	PRESSURE PROTECTION KIT	.....1