

# Cabmate

ford

freightliner

gmc

international

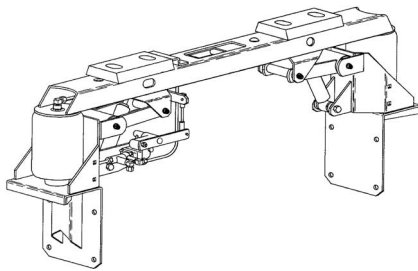
kenworth

mack  
marmon

peterbilt

sterling

volvo  
western star

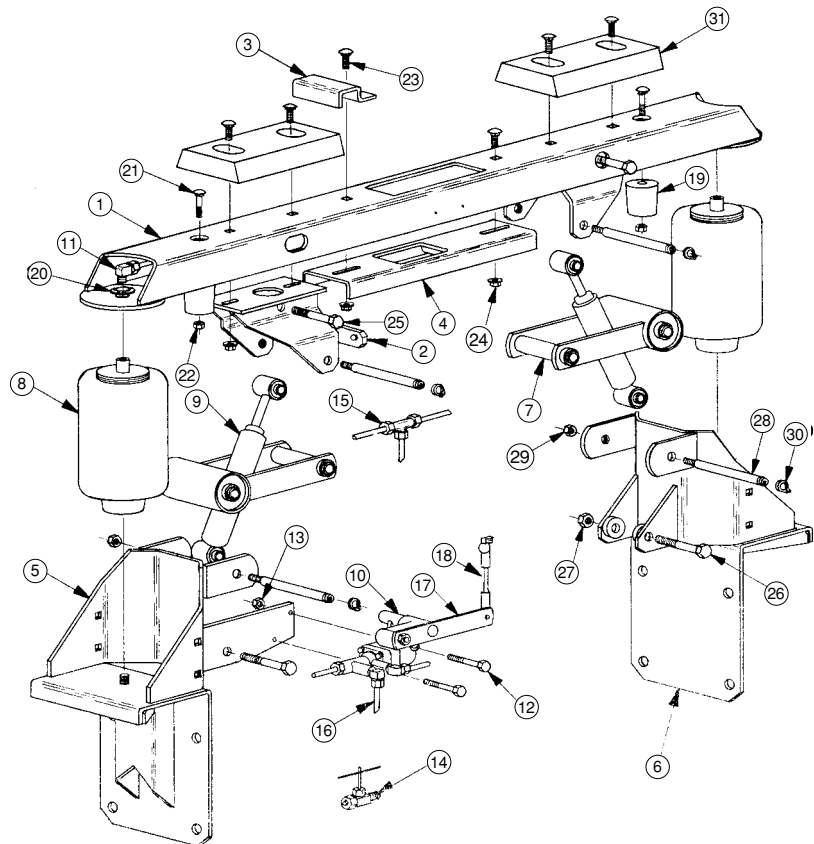
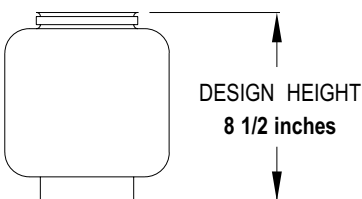


CABMATE MODEL  
**KWE90112-A**  
**2545-0000** FACTORY

**FITS:** Factory installed on 90" and 112" E series COE's. Unit superceded by KWE90112-B model Cabmate.

Wt: 72 lbs

**NOTES:**



## PARTS LIST

### SERVICE PARTS ONLY

1	2545-1000	UNIT TOP	.....	1
2*	2545-2100	TOP ADJUSTABLE TORQUE ARM AMOUNT	.....	1
3	2545-0002	PUSH-OFF PAD	.....	1
4	2500-2100	LATCH PLATE	.....	1
5*	2545-3100	UNIT BOTTOM (DRIVER)	.....	1
6	2545-4000	UNIT BOTTOM (PASSENGER)	.....	1
7	2500-3000	TORQUE ARM	.....	2
8	1101-0043	AIR SPRING	.....	2
9	1202-0032	SHOCK ABSORBER	.....	2
10*	1301-0020*	HEIGHT CONTROL VALVE	.....	1
11	1302-1105	MALE ELBOW (1/8 NPT)	.....	2
12	1401-0816	1/4 X 2 UNC BOLT	.....	2
13	1476-0800	1/4 UNC LOCK NUT	.....	2
14	1302-0080	MANUAL SHUT-OFF VALVE (1/8 NPT)	.....	1
15	1302-1083	UNION TEE	.....	1
16	1302-0090	1/4 AIRLINE	.....	5'
17*	2990-0500	VALVE ARM	.....	1
18	1500-0246	VALVE LINKAGE	.....	1
19	1500-0070	RUBBER BUMPER	.....	2
20	1500-0330	3/4 RETAINER RING	.....	2
21	1435-1012	5/16 X 1 1/2 UNC CARRIAGE BOLT	.....	2
22	1476-1000	5/16 UNC LOCK NUT	.....	2
23	1435-1208	3/8 X 1 UNC CARRIAGE BOLT	.....	6
24	1480-1201	3/8 UNC TOP LOCK FLANGE NUT	.....	6
25	1403-1418	7/16 X 2 1/4 UNF BOLT	.....	2
26	1403-1422	7/16 X 2 3/4 UNF BOLT	.....	2
27	1477-1400	7/16 UNF NUT	.....	4
28	2990-0032	4 1/4 TORQUE ARM BOLT	.....	4
29	1476-1201	3/8 UNC TOP LOCK NUT	.....	4
30	1500-0360	SNAP RING	.....	4
31	1500-0000	RUBBER PAD	.....	2

\*NOTE PRIOR TO SERIAL NO. 9109-6593 THE TOP ADJUSTABLE TORQUE ARM MOUNT PART NO. IS 2545-2000, THE UNIT BOTTOM (DRIVER) PART NO IS 2545-3100, THE HEIGHT CONTROL VALVE PART NO. IS 1301-0060, THE VALVE ARM PART NO. IS 2990-1000, AND THE VALVE LINKAGE PART NO. IS 1500-0262.