

Cabmate

ford

freightliner

gmc

international

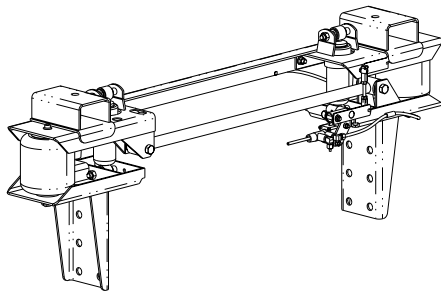
kenworth

mack
marmon

peterbilt

sterling

volvo
western star

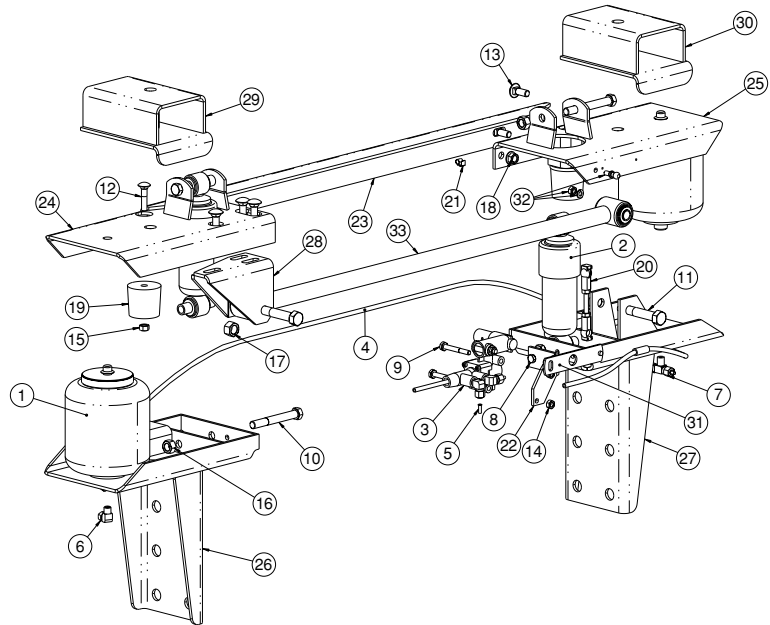
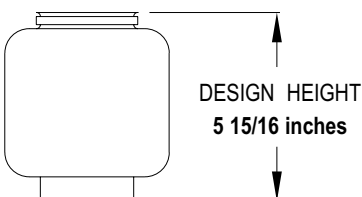


**CABMATE MODEL
FAS60-AS
2926-B000 AFTERMARKET**

FITS: Fits most 42" and 60" Able Body sleepers installed on all Sterling conventional tractors. FAS60-AS replaces original rear sleeper mount, part nos. F6HT-5-5A112-GB.

Wt: 58 lbs. Wt added: 30 lbs
Installation Time: 3-4 hours

NOTES:



PARTS LIST

1	1102-0043	SPRING-AIR2
2	1201-1044	SHOCK ABSORBER2
3	1301-0020	VALVE-CONTROL, HEIGHT1
4	1302-0090	.250 AIRLINE5.7
5	1302-1038	.25 TUBE SUPPORT5
6	1302-1105	ELBOW, 1/4 TB 1/8 M-NPT1
7	1302-1143	BRANCH TEE, 1/4 TB 1/8 M-NPT1
8	1401-0806	1/4 X 3/4 UNC HEX CAP SCREW (GRADE 5)2
9	1401-0816	1/4 X 2 UNC HEX CAP SCREW (GRADE 5)2
10	1403-1428	7/16 X 3 1/2 UNF HEX CAP SCREW (GRADE 5)4
11	1404-1624	1/2 X 3 UNF HEX CAP SCREW (GRADE 8)2
12	1435-1012	5/16 X 1 1/2 UNC RND HD SQ NK BOLT (GRADE 5)	2
13	1435-1208	3/8 X 1 UNC RND HD SQ NK BOLT (GRADE 5)7
14	1476-0800	1/4 UNC HEX CENTER LOCK NUT (GRADE B)4
15	1476-1000	5/16 UNC HEX CENTER LOCK NUT (GRADE B)2
16	1477-1400	7/16 UNF HEX CENTER LOCK NUT (GRADE B)4
17	1477-1601	1/2 UNF HEX TOP LOCK NUT (GRADE C)2
18	1480-1201	3/8 UNC TOP LOCK FLANGE NUT (GRADE F)7
19	1500-0070	BUMPER-JOUNCE, 1.752
20	1500-0242	LINKAGE-VALVE, HEIGHT CONTROL (3.50)1
21	1500-0310	CLIP-AIRLINE2
22	2926-0001	MOUNT-VALVE1
23	2926-0002	BRACE-MOUNT, TOP1
24	2926-1100	UNIT TOP-DRIVER1
25	2926-2100	UNIT TOP-PASSENGER1
26	2926-3200	UNIT BOTTOM-DRIVER1
27	2926-4200	UNIT BOTTOM-PASSENGER1
28	2926-5000	ADJUSTABLE LATERAL CONTROL MOUNT1
29	2926-6100	SPACER-MOUNT, CAB1
30	2926-6200	SPACER-MOUNT, CAB1
31	2990-0700	ASSEMBLY-ARM, VALVE1
32	2993-2016	LATERAL CONTROL ROD1
33	2991-0026	KIT-PIVOT BALL1
NS	1350-0000	KIT-PROTECTION, PRESSURE1